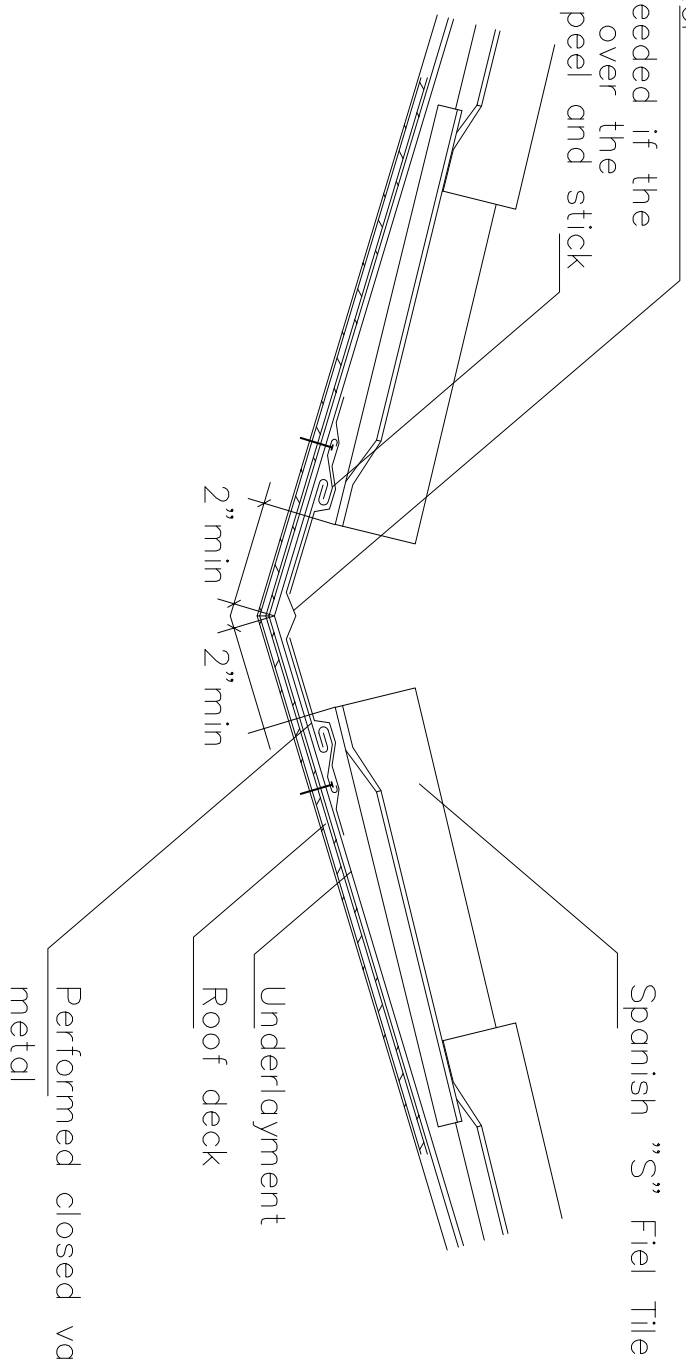


Water diverter
Note. Not needed if the valley is laid over the dry-in whit peel and stick



Crimp valleys not needed if the valley is laid over the dry-in



SPANISH "S" FIELD TILE OPEN VALLEY