



DEPARTMENT OF REGULATORY AND ECONOMIC RESOURCES (RER)
BOARD AND CODE ADMINISTRATION DIVISION

MIAMI-DADE COUNTY
PRODUCT CONTROL SECTION
11805 SW 26 Street, Room 208
Miami, Florida 33175-2474
T (786) 315-2590 F (786) 315-2599
www.miamidade.gov/economy

NOTICE OF ACCEPTANCE (NOA)

Santafe Tile Corporation
8825 NW 95th Street
Medley, FL 33178

SCOPE:

This NOA is being issued under the applicable rules and regulations governing the use of construction materials. The documentation submitted has been reviewed and accepted by Miami-Dade County RER - Product Control Section to be used in Miami Dade County and other areas where allowed by the Authority Having Jurisdiction (AHJ).

This NOA shall not be valid after the expiration date stated below. The Miami-Dade County Product Control Section (In Miami Dade County) and/or the AHJ (in areas other than Miami Dade County) reserve the right to have this product or material tested for quality assurance purposes. If this product or material fails to perform in the accepted manner, the manufacturer will incur the expense of such testing and the AHJ may immediately revoke, modify, or suspend the use of such product or material within their jurisdiction. RER reserves the right to revoke this acceptance, if it is determined by Miami-Dade County Product Control Section that this product or material fails to meet the requirements of the applicable building code.

This product is approved as described herein, and has been designed to comply with the Florida Building Code including the High Velocity Hurricane Zone of the Florida Building Code.

DESCRIPTION: Mission Barrel “Roofing Tile”

LABELING: Each unit shall bear a permanent label with the manufacturer's name or logo, city, state and following statement: "Miami-Dade County Product Control Approved", unless otherwise noted herein.

RENEWAL of this NOA shall be considered after a renewal application has been filed and there has been no change in the applicable building code negatively affecting the performance of this product.

TERMINATION of this NOA will occur after the expiration date or if there has been a revision or change in the materials, use, and/or manufacture of the product or process. Misuse of this NOA as an endorsement of any product, for sales, advertising or any other purposes shall automatically terminate this NOA. Failure to comply with any section of this NOA shall be cause for termination and removal of NOA.

ADVERTISEMENT: The NOA number preceded by the words Miami-Dade County, Florida, and followed by the expiration date may be displayed in advertising literature. If any portion of the NOA is displayed, then it shall be done in its entirety.

INSPECTION: A copy of this entire NOA shall be provided to the user by the manufacturer or its distributors and shall be available for inspection at the job site at the request of the Building Official.

This renews NOA# 12-0529.12 and consists of pages 1 through 5.

The submitted documentation was reviewed by *Freddy Semino*.



[Handwritten signature]



NOA No.: 17-0626.03
Expiration Date: 10/13/22
Approval Date: 07/27/17
Page 1 of 5

ROOFING ASSEMBLY APPROVAL

<u>Category:</u>	Roofing
<u>Sub-Category:</u>	Roofing Tiles
<u>Material:</u>	Clay
<u>Deck Type:</u>	Wood

1. SCOPE

This renews a roofing system using Santafe ‘Mission Barrel’, as manufactured Ladrillera Santafe S.A.in Bogota, Colombia and distributed by Santafe Tile Corporation as described in Section 2 of this Notice of Acceptance. For locations where the pressure requirements, as determined by applicable Building code does not exceed the values listed in Section 4 herein. The attachment calculations shall be done as a moment based system.

2. PRODUCT DESCRIPTION

<u>Manufactured by Applicant</u>	<u>Dimensions</u>	<u>Test Specifications</u>	<u>Product Description</u>
Mission Barrel Clay Roof Tile	L = 18” W = tapered 7.5” to 9”	ASTM C1167	High profile, two piece, tapered clay roof tile equipped with one nail holes. For nail-on with clip, mortar set and adhesive set applications.
Trim Pieces	l = varies w = varies varying thickness	ASTM C1167	Accessory trim, ceramic roof pieces for use at hips, rakes, ridges and valley terminations. Manufactured for each tile profile.

2.1 MANUFACTURING LOCATION

1. Bogota, Colombia

2.2 SUBMITTED EVIDENCE:

<u>Test Agency</u>	<u>Test Identifier</u>	<u>Test Name/Report</u>	<u>Date</u>
The Center for Applied Engineering, Inc.	94-156-5	TAS 101	08/01/94
The Center for Applied Engineering, Inc.	94-156-6	TAS 102	08/01/94
The Center for Applied Engineering, Inc.	25-7121-1	TAS 101	11/01/95
The Center for Applied Engineering, Inc.	Project: 07-07-00-91 (307023)	TAS 100	09/01/94
American Test Lab of South Florida	RT0516.02-17	ASTM C 1167	05/25/17
PRI Asphalt Technologies, Inc.	SFTC-001-02-01	TAS 101	12/01/02



3. LIMITATIONS

- 3.1 Fire classification is not part of this acceptance.
- 3.2 For mortar or adhesive set tile applications, a static field uplift test shall be performed in accordance with TAS 106.
- 3.3 Applicant shall retain the services of a Miami-Dade County Certified Laboratory to perform quarterly test in accordance with TAS 112, appendix 'A'. Such testing shall be submitted to the Building Code Compliance Office for review.
- 3.4 Minimum underlayments shall be in compliance with the applicable Roofing Applications Standards listed section 4.1 herein.
- 3.5 30/90 hot mopped underlayment applications may be installed perpendicular to the roof slope unless stated otherwise by the underlayment material manufacturers published literature.
- 3.6 This acceptance is for wood deck applications. Minimum deck requirements shall be in compliance with the applicable Building Code.

4. INSTALLATION

- 4.1 Santafe 'Mission Barrel' and its components shall be installed in strict compliance with Miami Dade County Roofing Application Standard RAS 118, RAS 119, and RAS 120.
- 4.2 Data For Attachment Calculations.

Table 1: Average Weight (W) and Dimensions (l x w)

Tile Profile	Weight-W (lbf)	Length-l (ft)	Width-w (ft)
Mission Barrel Clay Roof Tile	5.50	1.50	0.68

Table 2: Aerodynamic Multipliers - λ (ft³)

Tile Profile	λ (ft ³) Direct Deck Application
Mission Barrel Clay Roof Tile	0.242

Table 3: Restoring Moments due to Gravity - M_g (ft-lbf)

Tile Profile	3":12"	4":12"	5":12"	6":12"	7":12" or greater
Mission Barrel Clay Roof Tile	6.25	6.20	6.11	6.00	5.87

Table 4: Attachment Resistance Expressed as a Moment - M_r (ft-lbf)

Tile Profile	Tile Application	Minimum Attachment Resistance
Mission Barrel Clay Roof Tile	Nail-on With A Clip System	24.1

- 1. The nail hole shall be located at the center of the cover tile, 1-1/2" from the head.
- 2. Minimum 3" headlap.



Table 6: Attachment Resistance Expressed as a Moment - M_f (ft-lbf) for Single Patty Adhesive Set Systems		
Tile Profile	Tile Application	Minimum Attachment Resistance
Mission Barrel Clay Roof Tile	3M™ 2-Component Foam Roof Tile Adhesive AH-160	141.8 ³

3 Place 35 grams per pan and 35 grams per cap.

Table 7: Attachment Resistance Expressed as a Moment - M_f (ft-lbf) for Mortar Set Systems		
Tile Profile	Tile Application	Attachment Resistance
Mission Barrel Clay Roof Tile	Mortar Set	57.4

5. LABELING

5.1 All tiles shall bear the imprint or identifiable marking of the manufacturer's name or logo as detailed below, or following statement: "Miami-Dade County Product Control Approved".

SANTAFE™ MADE IN COLOMBIA

IDENTIFICATION MARK FOR MISSION BARREL CLAY ROOF TILE
(LOCATED UNDERNEATH TILE)

6. BUILDING PERMIT REQUIREMENTS

6.1 Application for building permit shall be accompanied by copies of the following:

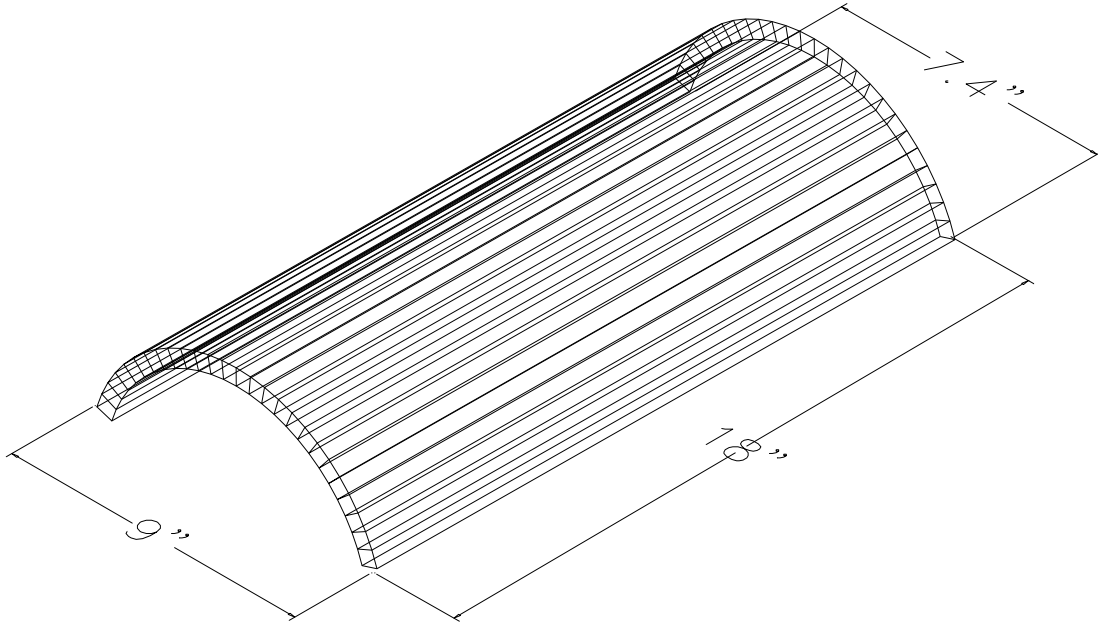
6.1.1 This Notice of Acceptance.

6.1.2 Any other documents required by the Building Official or applicable building code in order to properly evaluate the installation of this system.



NOA No.: 17-0626.03
 Expiration Date: 10/13/22
 Approval Date: 07/27/17
 Page 4 of 5

PROFILE DRAWING



SANTAFÉ "MISSION BARREL" CLAY ROOF TILE

END OF THIS ACCEPTANCE



NOA No.: 17-0626.03
Expiration Date: 10/13/22
Approval Date: 07/27/17
Page 5 of 5